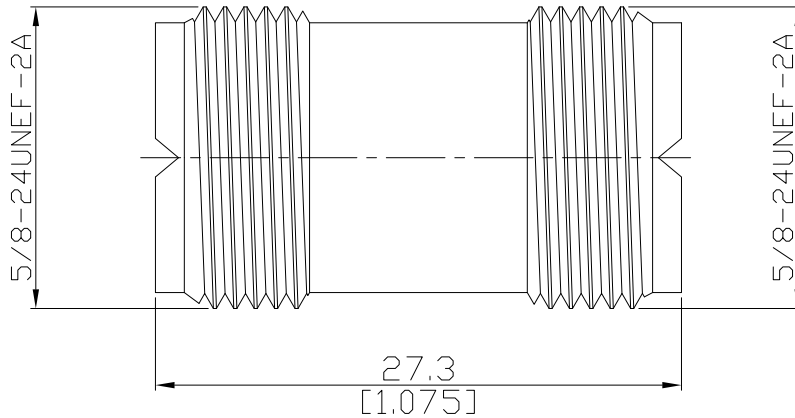


Adaptor jack/jack
UHF jack (female) / UHF jack (female)

AD-U2U25A/H4-H4



All dimensions are in mm [inch]

Tolerances according to DIN ISO 2768-mH

Interface

According to N/A

Electrical Data

Impedance non-constant
Frequency DC to 300 MHz

Mechanical Data

Coupling mechanisms Screw-lock
Weight 0.0172 kg

Environmental Data

Temperature range -55°C to +149°C
RoHS compliant

Material And Plating

Piece Parts (UHF)	Material	Plating
Centre contact	Phosphor Bronze	Gold plating(Nickel underplated)
Body	Brass	Copper-Tin-Zinc Alloy
Insulator	PTFE	

Piece Parts (UHF)	Material	Plating
Centre contact	Phosphor Bronze	Gold plating(Nickel underplated)
Body	Brass	Copper-Tin-Zinc Alloy
Insulator	PTFE	

Packing

Single or 100