

Datablad | Varenummer: 2773-2401

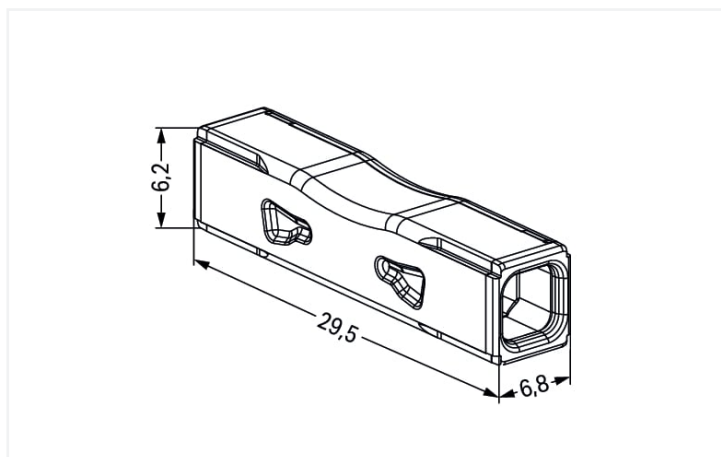
PUSH WIRE® Inline fjedersamlemuffe; til entrådede og flertrådede ledere; maks. 4 mm²; 2-leder; gennemsigtigt hus; Transparent cover; Omgivende temperatur: maks. 85 °C (T85); 4,00 mm²; transparent



<https://www.wago.com/2773-2401>



Farve: transparent



Elektriske data

Mærkninger iht.	EN 60664		
Overvoltage category	III	III	II
Pollution degree	3	2	2
Mærkespænding	-	-	450 V
Mærkepulsspænding	-	-	4 kV
Mærkestrøm	-	-	32 A

Godkendelser iht.	UL 486C		
Use group	B	C	D
Mærkespænding	-	600 V	-
Mærkestrøm	-	20 A	-

Tilslutningsdata

Connection 1

Solid leder	0,75 ... 4 mm ² / 18 ... 12 AWG
Trådet leder	1,5 ... 4 mm ²
Lederdiameter	1,6 ... 2 mm / 18 ... 12 AWG
Afisoleringslængde	10 ... 11 mm / 0.39 ... 0.43 tommer

Geometrische Daten

Bredde	6,8 mm / 0.268 tommer
Højde	6,15 mm / 0.242 tommer
Dybde	29,5 mm / 1.161 tommer

Materiale Data (engelsk)

Note på materiel data

[Information on material specifications can be found here](#)

Farve	transparent
Dækfarve	transparent
Materiale gruppe	IIIa
Isolations materiale	Polykarbonat (PC)
Brandbarhedsklasse i henhold til UL94	V2
Fjederklemme materiale	Krom-nikkel fjederstål (CrNi)
Kontakt materiale	Elektrolytisk kobber (E _{Cu})
Kontakt legering	fortinnet
Brand last	0.038 MJ
Vægt af isoleringsmateriale	0.8 g
Vægt	1.4 g

Miljøforhold

Operations temperatur	-35 ... +60 °C
Vedvarende driftstemperatur	105 °C

Kommercielle data

PU (SPU)	1000 (100) Stykke
Oprindelsesland	CH
GTIN	4066966321630
Told tarifnummer	85369010000

Environmental Product Compliance

RoHS Compliance Status	Compliant, No Exemption
------------------------	-------------------------

1 Kompatible produkter

1.1 Valgfrit tilbehør

1.1.1 Generelt tilbehør

1.1.1.1 Installationsklemme



Artikelnr.: 207-5485/316-000

cable repair set; for multicore cables; Straight-through; with glue; Cable diameter 8 - 24 mm; with enclosed splicing connectors; medium-walled; black

Betjeningsvejledning

Lederafslutning



Strip conductor to 10 mm.



Insert the conductor.



Check for the correct conductor position.

Lederudtagelse

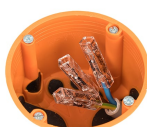


Twist the connector alternately left and right while pulling it off the conductor.

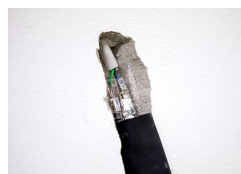
Applikation:



Wiring conductors in a flush-mounted junction box.



Extending short wires.



Use with a shrink tube



Use of the inline splicing connector (for plugging in with a shrink tube) in the cable repair set 207-5485/316-000.

Applikation:



Damaged cable



Strip the damaged cable approx. 10 cm uniformly around the damaged area.

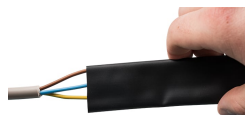


Cut out the damaged areas in the copper and disconnect all other conductors. For damaged areas between 1 mm and 30 mm, at least 30 mm of the damaged conductor must be removed. Tip: A connector (approx. 30 mm long) can be used as a length guide.



Strip conductor and conductor bridge to 10 mm specified and insert into connector. Only one connector is required for damage points 1 mm.

Applikation:



Strip 10 mm conductor per specification and insert connector (example shows staggered connectors).

Pull the shrink tube over the cable end.

The shrink tube must have an overlap length of at least 30 mm on the cable sheath.

Heat the shrink tube evenly with a hot air blower between 110°C and 200°C.



The shrinking process is only completed when the shrink tube is tightly connected to the cable and the adhesive has visibly melted (see photo).