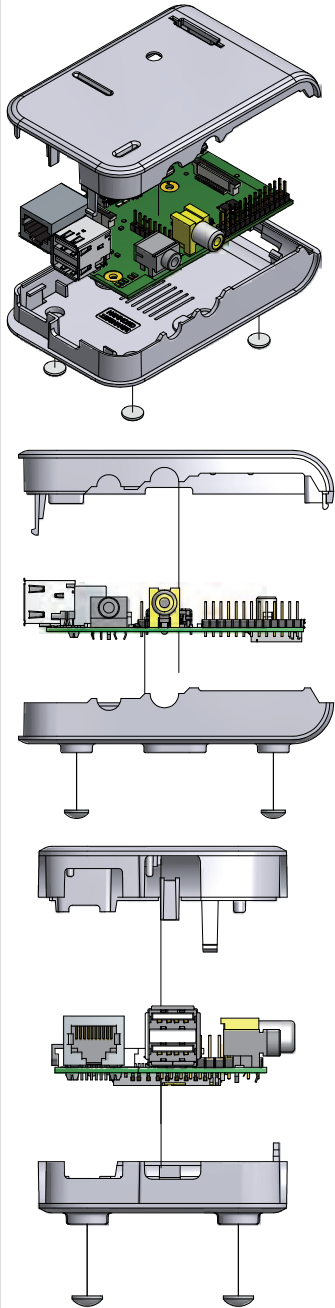
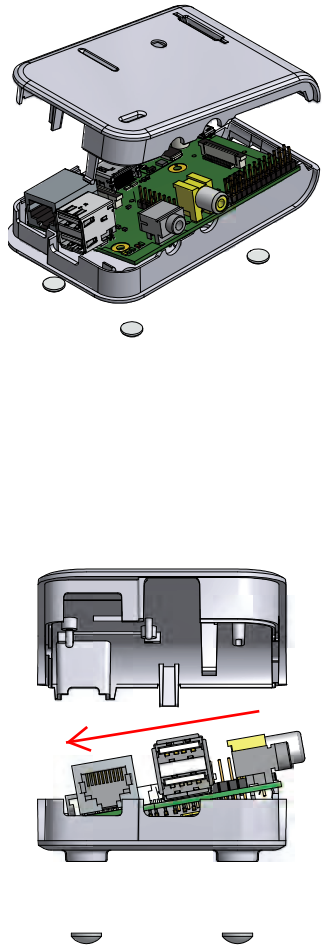


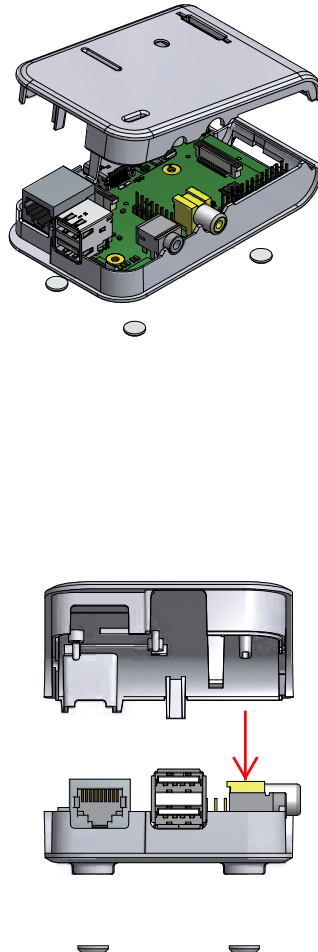
**INSTALLING THE RASPBERRY PI INTO THE 1593HAMPI ENCLOSURE**



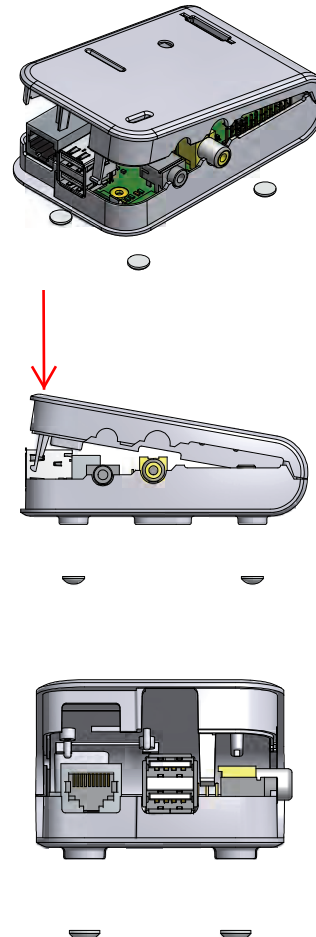
**STEP 1**  
TAKE THE BOTTOM PART OF THE ENCLOSURE AND INSERT THE DEVELOPMENT BOARD ON AN ANGLE AGAINST THE STATIONARY CLIPS.



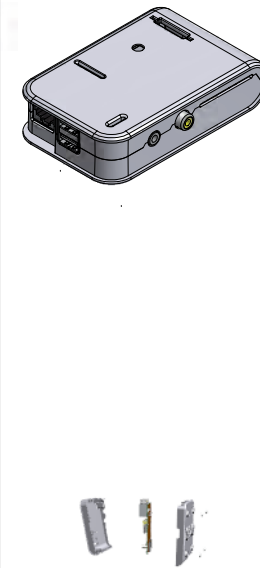
**STEP 2**  
PUSH DOWN FIRMLY ON THE RCA JACK UNTIL YOU HEAR THE BOARD CLICK IN PLACE.



**STEP 3**  
TAKE THE TOP PART OF THE ENCLOSURE AND TOUCH THE TWO ROUNDED ENDS TOGETHER ON AN ANGLE.



**STEP 4**  
PUSH DOWN ON THE OUTER TOP EDGE OF THE ENCLOSURE UNTIL YOU HEAR A SNAPPING SOUND.  
  
PLACE RUBBER ADHESIVE FEET IN THE CIRCLES ON THE BOTTOM OF THE ENCLOSURE.



TO DISASSEMBLE, PULL BACK CLIP ON THE BOTTOM AND SEPARATE CASE

