

Split ferrite

$\varnothing \leq 5$ mm



FEATURES:

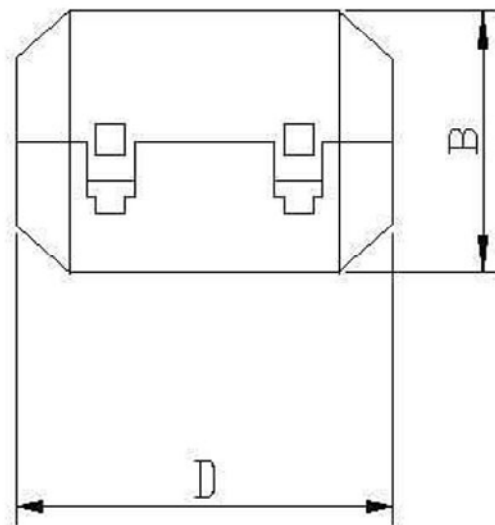
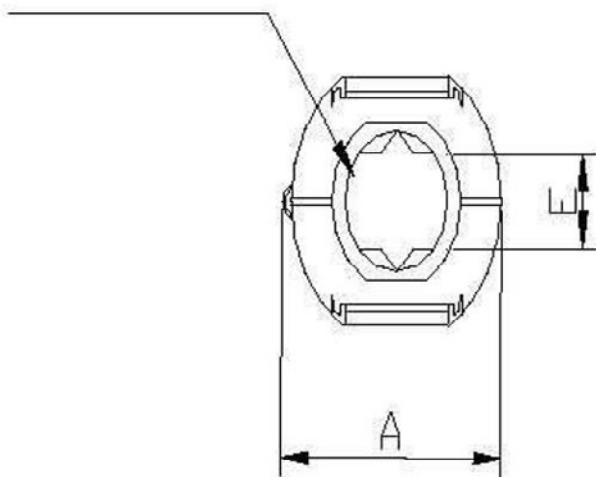
Round Shape

SPECIFICATION:

For cable size	$\varnothing \leq 5$ mm
Colour	black
A	13 mm
B	11.8 mm
C	5 mm
D	25.5 mm
E	2.5 mm
Impedance @ 25 MHz	80 Ω
Impedance @ 100 MHz	145 Ω



C(CORE I.D)

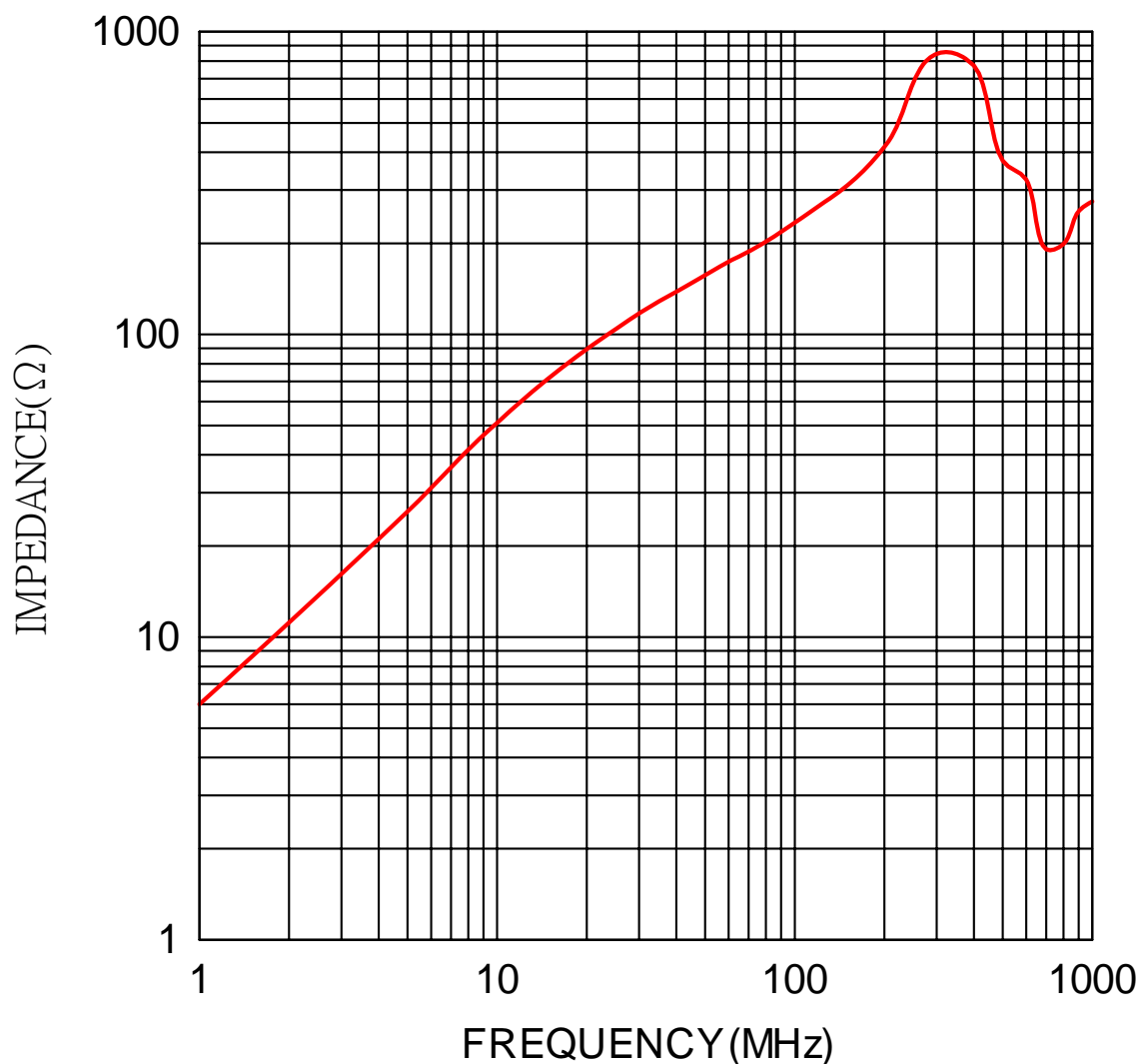


Split ferrite

$\varnothing \leq 5 \text{ mm}$

Frequency Graph

1. TEST INSTRUMENT: HP4286A
2. WINDING: 0.65 Φ X 220 mm 2 U. E. W 1TS



	1	5	10	25	50	100	200	300	400	500	600	700	800	900	1000
Z —	6	26	51	104	157	234	416	845	773	375	325	191	199	255	275

(DATA BETWEEN 500MHz AND 1000MHz ARE FOR REFERENCE ONLY)

Art. Nr.
RND 165-00008