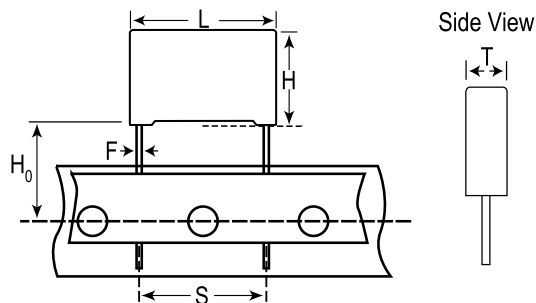


**KEMET Part Number: MMK10222K400A01L16.5TR18**  
(F601AG222K400L, MMK10222K400A01L16,5TR18)

MMK/F601, Film, Metallized Polyester, General Purpose, 2200 pF, 10%, 400 VDC, 85°C, Lead Spacing = 10mm



General Information	
Supplier:	KEMET
Series:	MMK/F601
Dielectric:	Metallized Polyester
Style:	Radial
Features:	DC Multipurpose Applications
RoHS:	Yes
Lead:	Wire Leads
Notes:	Not For New Design, Please Check Possible Alternative Parts (AltPart)

Dimensions	
L	13mm MAX
H	9mm MAX
T	4mm MAX
S	10mm +0.6/-0.1mm
H0	16mm NOM
F	0.6mm NOM

Specifications	
Capacitance:	2200 pF
Capacitance Tolerance:	10%
Voltage AC:	200 VAC
Voltage DC:	400 VDC, 310 VDC (100C)
Temperature Range:	-55/+100C
Rated Temperature:	85°C
Dissipation Factor:	0.80% 1kHz, 1.50% 10kHz, 3.00% 100kHz
Insulation Resistance:	30 GOhms
Max dV/dt:	30 V/us
Inductance:	6 nH

Packaging Specifications	
Packaging:	T&R
Packaging Quantity:	900