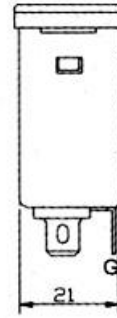
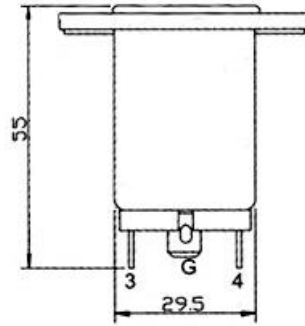
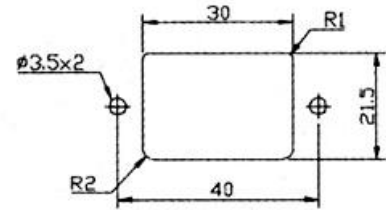
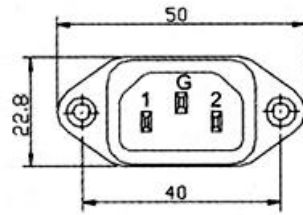
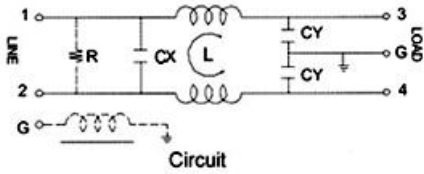


A	B	D	E
1A	3A	6A	10A



### Specifications

Rated voltage	125V AC / 250V AC	
Leakage current	0.8mA max. 250 V, 50Hz	
Test voltage	Line to line	1450 V DC
	Line to ground	2250 V DC
Insulation resistance	100MΩ min. 250 V DC	
Operating temperature	-25°C~ 85°C	