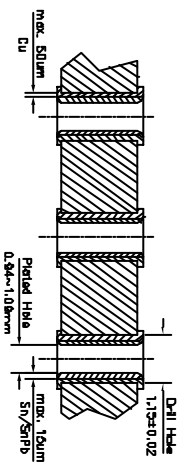
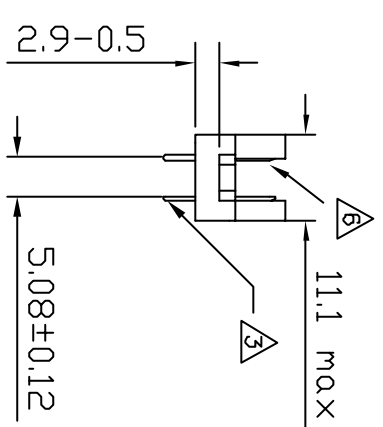


REV	DESCRIPTION OF REVISIONS	DATE	DRAWN	CHECKED
A	FIRST RELEASE	04/29/2005	ST Ling	H Shen

NOTES:

- ① CONNECTOR MEETS REQUIREMENT OF DIN 41612
- MATERIAL :  
-HOUSING : GLASS-FILLED PBT, COLOR GREY, UL 94V-0
- ② CONTACT : COPPER ALLOY
- ③ CONTACT TAIL DIMENSION (THICKNESS x WIDTH x LENGTH)  
-T : 0.48±0.03 x 0.48±0.03 x 4±0.2  
-T2.5 : 0.48±0.03 x 0.48±0.03 x 2.5±0.2
- ④ CONTACT FINISH (OPTION IN PART NUMBER)  
-1 : 30u" (0.75um) GOLD PLATING ON MATING AREA, TIN PLATING ON TAIL AREA, FLASH GOLD PLATING ON NON-MATING AREA, NICKEL UNDERPLATE ALLOWER
- 2 : 15u" (0.38um) GOLD PLATING ON MATING AREA, TIN PLATING ON TAIL AREA, FLASH GOLD PLATING ON NON-MATING AREA, NICKEL UNDERPLATE ALLOWER
- BLANK : FLASH GOLD PLATING ON MATING AREA AND NON-MATING AREA, TIN PLATING ON TAIL AREA, NICKEL UNDERPLATE ALLOWER
- ⑤ CONNECTOR PRINTED WITH COMPANY NAME, PART NUMBER, AND BATCH NUMBER
- ⑥ CONTACT MATING SIDE LENGTH  
-STANDARD : 5.05-0.25mm  
-EXTENDED : 5.6+0.2/-0.05mm  
-SHORT : 4.25+0.1/-0.05mm



RECOMMENDED HOLE SPECIFICATIONS  
SECTION A-A  
SCALE 6 : 1

DESCRIPTION : MALE, TYPE R, 64 CONTACTS,  
STRAIGHT SOLDER CONNECTOR  
CUSTOMER DRAWING

PART NUMBER

NO.1 RM64act-1	NO.4 RM64actT2.6-1
NO.2 RM64act-2	NO.5 RM64actT2.6-2
NO.3 RM64act	NO.6 RM64actT2.6

APFEL	DRAWN	UNIT	ANGLE	MILLIMETERS
	ST Ling	MM	±1°	X.XX ±0.012 X.XX ±0.05 X.XX ±0.1 X ±0.25

CHECKED	SCALE	REV	DRAWING NO.
H Shen	1:1	A	F0566.DWG

RECOMMENDED PCB HOLE LAYOUT  
COMPONENT SIDE  
SCALE 1 : 1