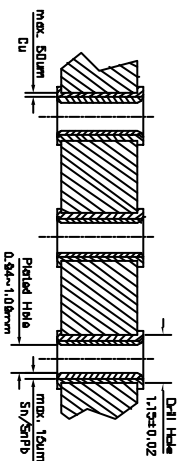
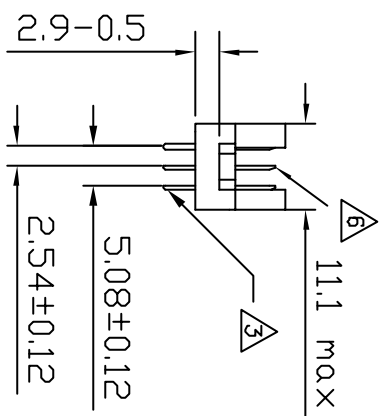
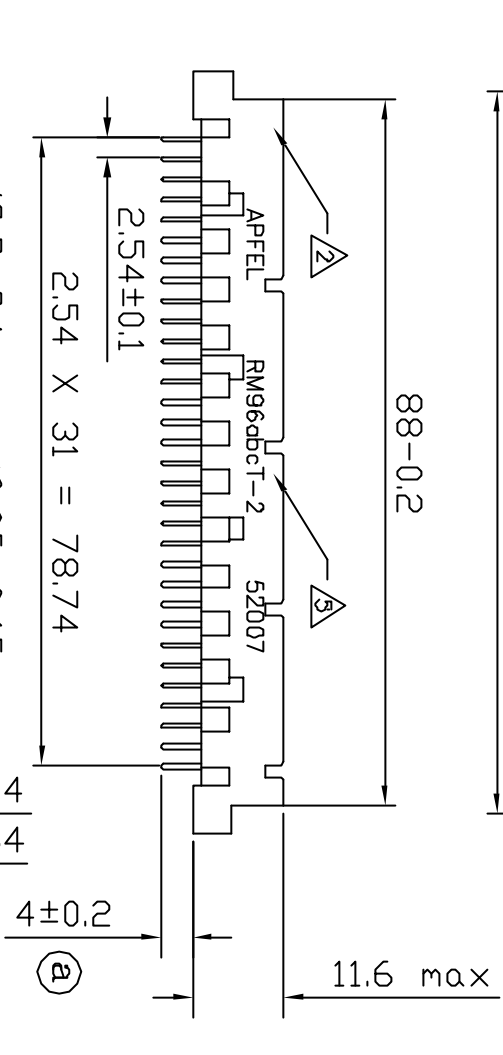
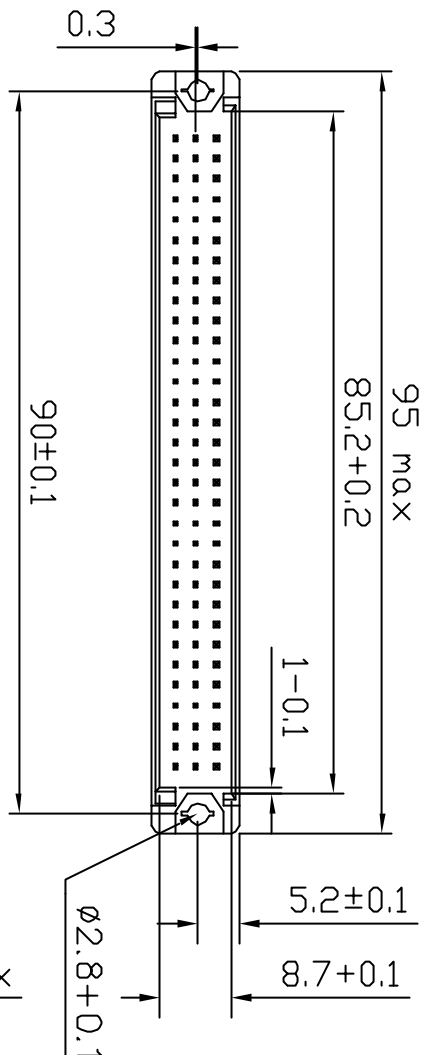


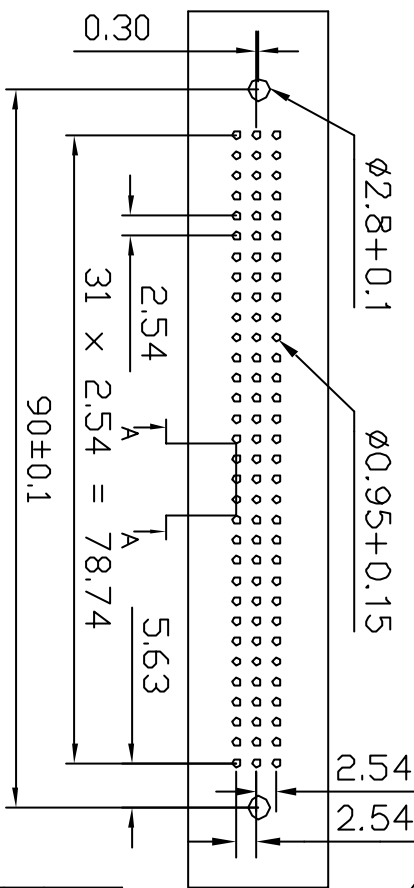
REV	DESCRIPTION OF REVISIONS	DATE	DRAWN	CHECKED
A	FIRST RELEASE	06/09/1999	ST Ling	H Shen

NOTES :

- ① CONNECTOR MEETS REQUIREMENT OF DIN 41612
- ② MATERIAL : GLASS-FILLED PBT, COLOR GREY, UL 94V-0
- ③ HOUSING : COPPER ALLOY
- ④ CONTACT TAIL DIMENSION (THICKNESS x WIDTH x LENGTH)
 -1 : 0.48±0.03 x 0.48±0.03 x 4±0.2
 -12.5 : 0.48±0.03 x 0.48±0.03 x 2.5±0.2
- ⑤ CONTACT FINISH (OPTION IN PART NUMBER)
 -1 : 30u" (0.75um) GOLD PLATING ON MATING AREA, TIN PLATING ON TAIL AREA, FLASH GOLD PLATING ON NON-MATING AREA, NICKEL UNDERPLATE ALLOWER
 -2 : 15u" (0.38um) GOLD PLATING ON MATING AREA, TIN PLATING ON TAIL AREA, FLASH GOLD PLATING ON NON-MATING AREA, NICKEL UNDERPLATE ALLOWER
 BLANK : FLASH GOLD PLATING ON MATING AREA AND NON-MATING AREA, NICKEL UNDERPLATE ALLOWER
- ⑥ CONNECTOR PRINTED WITH COMPANY NAME, PART NUMBER, AND BATCH NUMBER
- ⑦ CONTACT MATING SIDE LENGTH
 -STANDARD : 5.05-0.25mm
 -EXTENDED : 5.6+0.2/-0.05mm
 -SHORT : 4.25+0.1/-0.05mm



RECOMMENDED HOLE SPECIFICATIONS
 SECTION A-A
 SCALE 6 : 1



RECOMMENDED PCB HOLE LAYOUT
 COMPONENT SIDE
 SCALE 1 : 1

DESCRIPTION : MALE, TYPE R, 96 CONTACTS,
 STRAIGHT SOLDER CONNECTOR
 CUSTOMER DRAWING

PART NUMBER

NO.1 RM96abcT-1	NO.4 RM96abcT2.6-1
NO.2 RM96abcT-2	NO.5 RM96abcT2.6-2
NO.3 RM96abcT	NO.6 RM96abcT2.6

APFEL

MILLIMETERS
X.XX ±0.012
X.XX ±0.05
X.X ±0.1
X ±0.25

DRAWN	UNITS	ANGLE	DRAWING NO.
ST Ling	MM	±1°	F0056.DWG
CHECKED	SCALE	REV	
H Shen	1:1	A	