

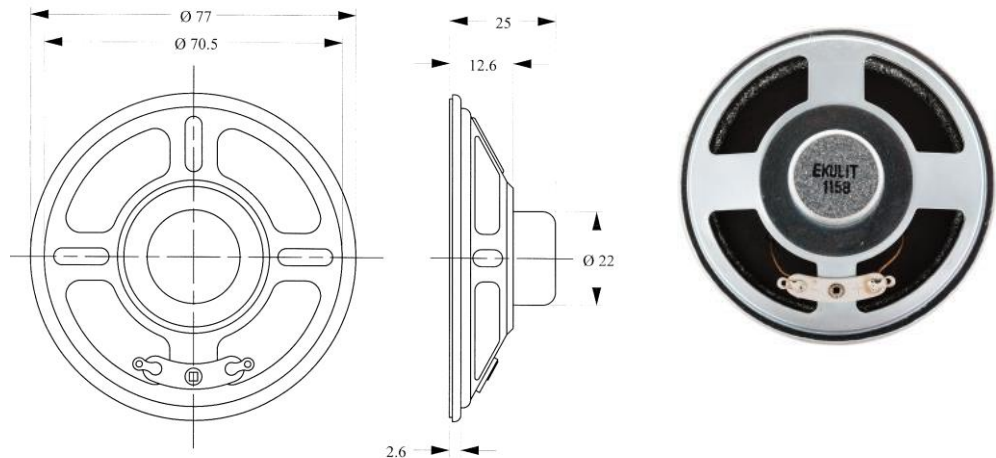
Lautsprecher LSM-77A Art.-Nr.: 120120

Specification :

TYPE	UNIT	LSM-77A
Impedance	Ω	8 \pm 15%
Power (Nominal)	W	1.0
Power (Maximum)	W	1.5
Resonant Frequency	Hz	260 \pm 20%
Sound Pressure Level	dB	83 \pm 3
Frequency Range	Hz	Fo~12.000
Operating Temperature	$^{\circ}$ C	-20~+60
Storage Temperature	$^{\circ}$ C	-30~+70

Dimensions :

(Unit : mm)



Frequency Response :

