

# Plastic enclosure

120 x 120 x 60 mm light grey PC IP 65



Integral guides and standoffs for vertical and horizontal PCB mounting

---

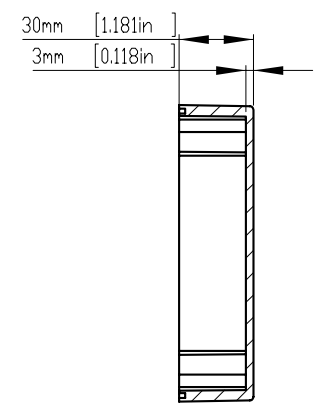
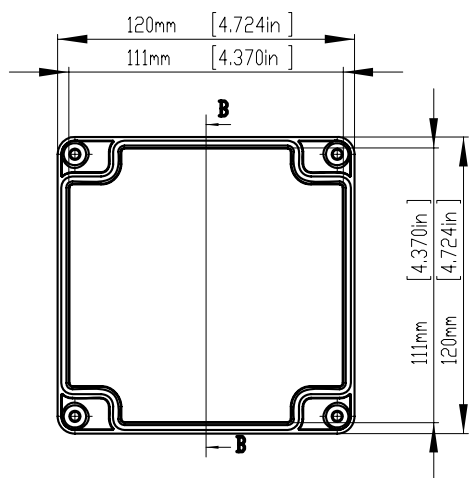
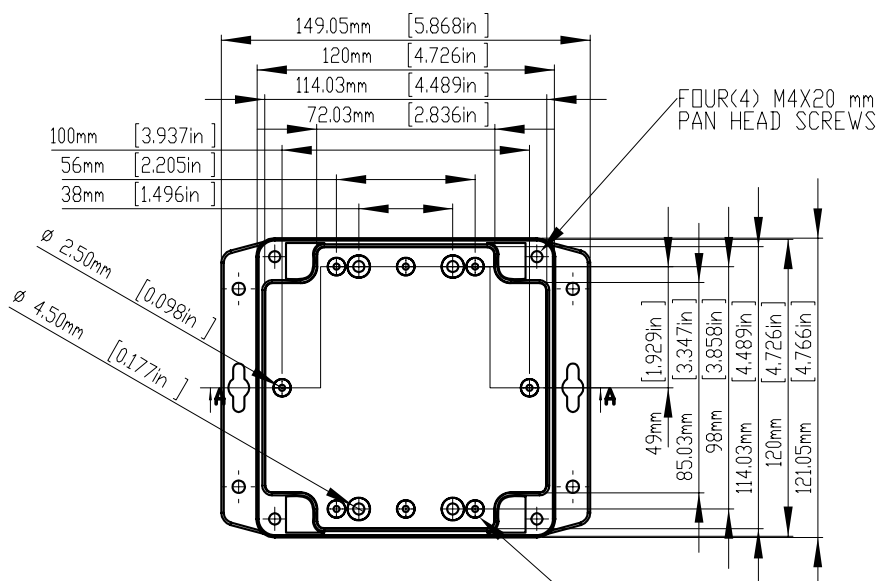
**SPECIFICATION:**

Dimensions L x W x H	120 x 120 x 60 mm
Colour	light grey
Material	PC
Protection rating	IP 65
Fire class	UL 94 HB
Mounting	Flange
Temperature range	-40...+120 °C
Front panel	Transparent

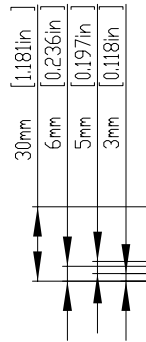
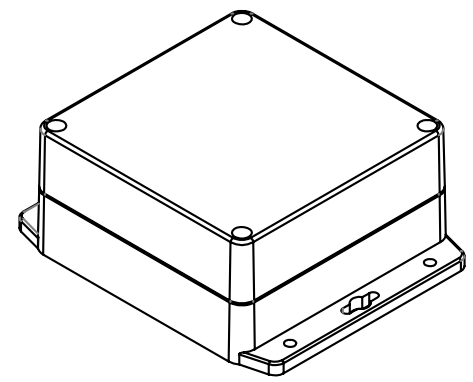
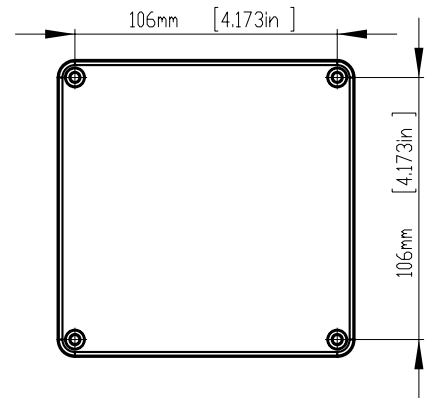
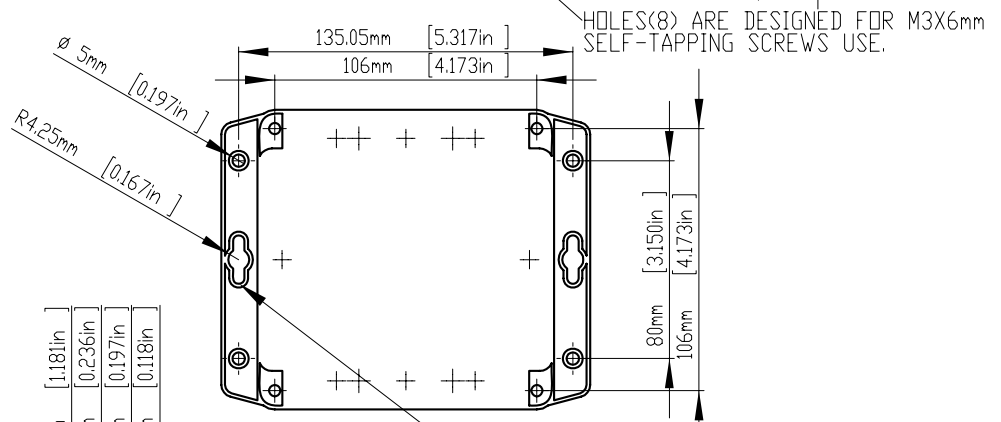


**Art. Nr.**

**RND 455-00267**



SECTION B-B  
SCALE 1 : 2



SECTION A-A  
SCALE 1 : 2

HOLES(2) ARE DESIGNED FOR M4 PAN  
 HEAD MACHINE SCREWS USE.

