

# GPV 5/8 GPV 1/2

## 26.5...29.5 MHz Tunable Base Station Antennas

### DESCRIPTION

Base station antennas tunable from 26.5 to 29.5 MHz. They are made of anti-corodal aluminium tubes. Strong and easy to install, they allow very good links.

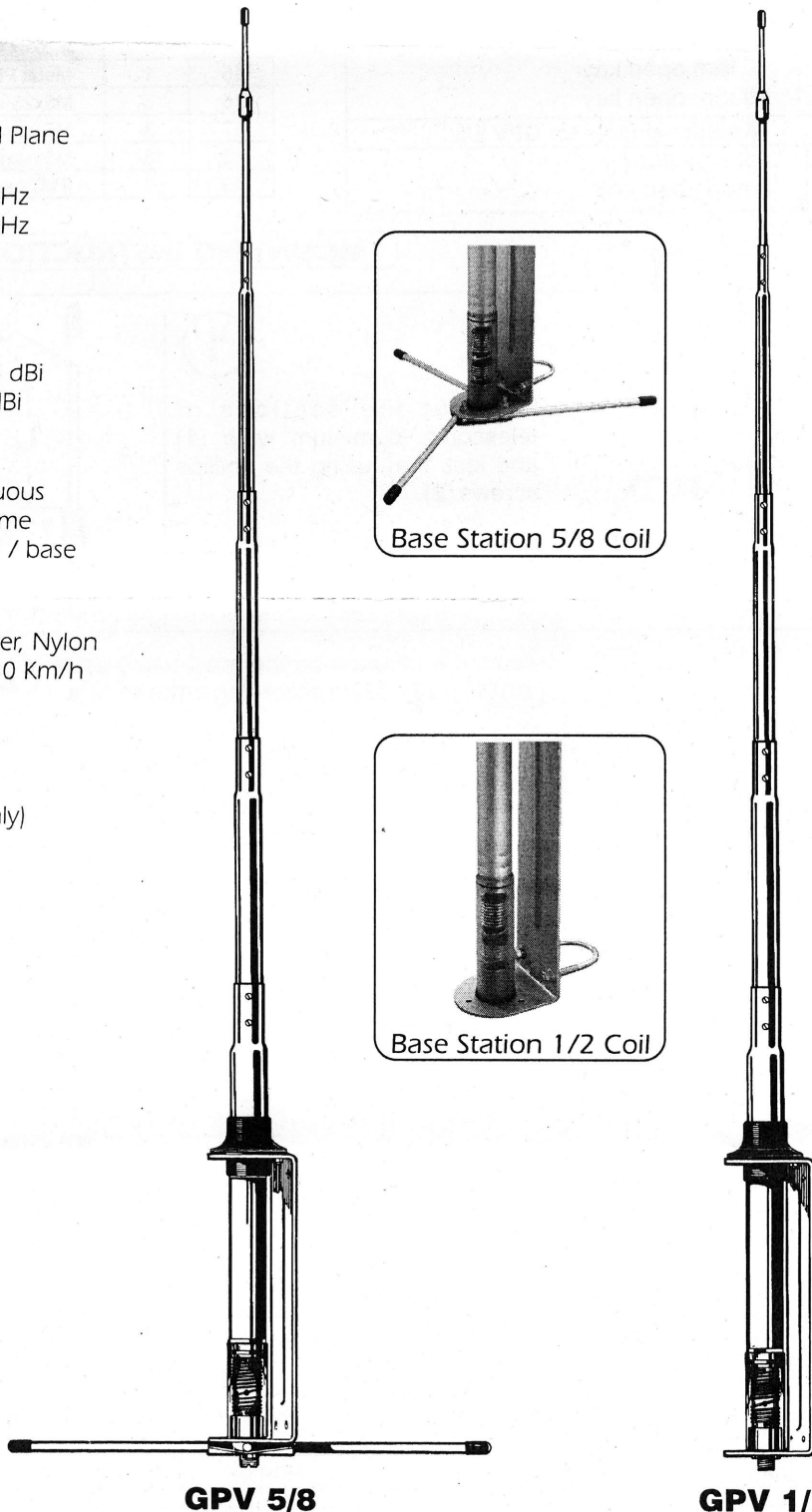
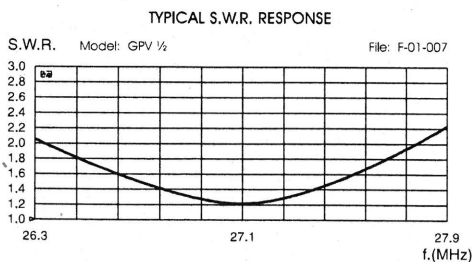
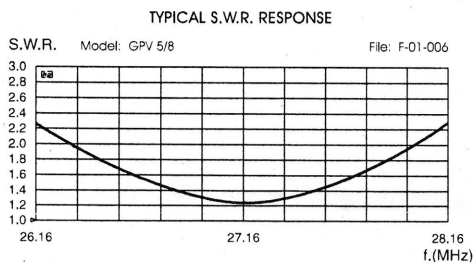
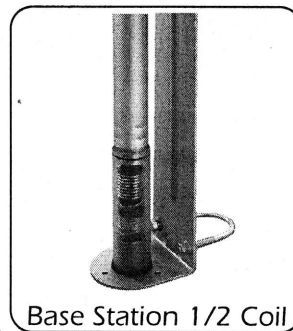
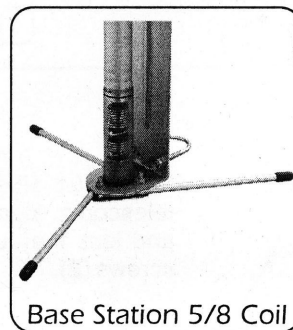
### SPECIFICATIONS

#### Electrical Data

Type	: GPV 5/8 5/8 $\lambda$ Ground Plane
	: GPV 1/2 1/2 $\lambda$
Frequency range	: GPV 5/8 26.5...29.5 MHz
	: GPV 1/2 26.8...29.5 MHz
	tunable (see table)
Impedance	: 50 $\Omega$
Radiation (H-plane)	: 360° omnidirectional
Polarization	: Linear Vertical
Gain	: GPV 5/8 1.2 dBd, 3.35 dBi
	: GPV 1/2 0 dBd, 2.15 dBi
Bandwidth @ SWR $\leq 2$	: $\geq 1600$ KHz
SWR @ res. freq.	: $\leq 1.3$
Max Power	: 250 Watts (CW) continuous
	: 750 Watts (CW) short time
Feed system/ position	: Transformer DC-ground / base
Connector	: UHF-female

#### Mechanical Data

Materials	: Aluminium, Steel, Copper, Nylon
Wind Load/Resistance	: 160 N @ 150Km/h / 130 Km/h
Wind surface	: 0.12 m <sup>2</sup>
Length (approx.)	: 6100 mm both models
Weight (approx.)	: GPV 5/8 2500 gr
	: GPV 1/2 2100 gr
Radial length	: 1320 mm (GPV 5/8 only)
Mounting Mast	: $\varnothing$ 35-42 mm

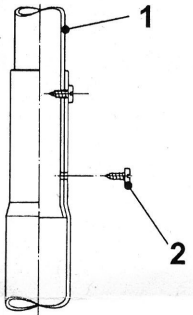


TUNING TABLE		
Freq. (MHz)	GPV 5/8 L (mm)	GPV 1/2 L (mm)
26.5	950	/
26.8	880	950
27.0	816	900
27.185	760	860
27.5	664	745
28.0	512	578
(10 m band) 28.5	354	412
29.0	204	243
29.5	54	67

Mounting needed tools:	
n. 1	tape rules (meter)
n. 1	phillips screwdriver
n. 1	10 mm open key
n. 1	19 mm open key
Additional tools for GPV 5/8:	
n.1	flat screwdriver
n.1	8 mm open key

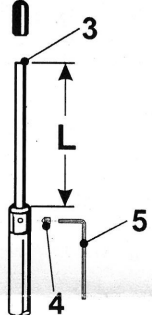
Parts List		
Pos	Q.ty	Description
1	1	5 sections telescopic aluminium whip with coil
2	8	∅ 3.9x6.5 phillips tapping screws
3	1	∅ 5mm top aluminium bar
4	1	M4x4 hexagon socket set screw cup point
5	1	2mm hexagonal key
6	1	Rubber washer
7	1	M16 spring lock washer
8	1	19mm hexagonal nut
9	1	steel bracket
10	4	M6 washers
11	4	M6 spring lock washers
12	4	M6 hexagonal nuts
13	2	M6x160mm U-bolt
GPV 5/8 additional parts:		
14	3	∅ 6x8x1320mm aluminium tubes
15	1	Metal Plate
16	3	M5x25 screws
17	3	M5 washers
18	3	M5 hexagonal nuts
19	3	PVC cap for ∅ 8mm aluminium tube

### MOUNTING INSTRUCTIONS



**1**

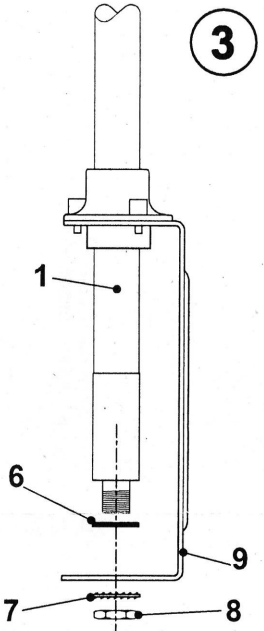
Pull out the sections of telescopic aluminium whip (1) and lock them using the phillips screws (2).



**2**

Insert the top aluminium bar (3) at L (see tuning table for frequency) and lock it using the screw (4) and 2mm hexagonal key (5).

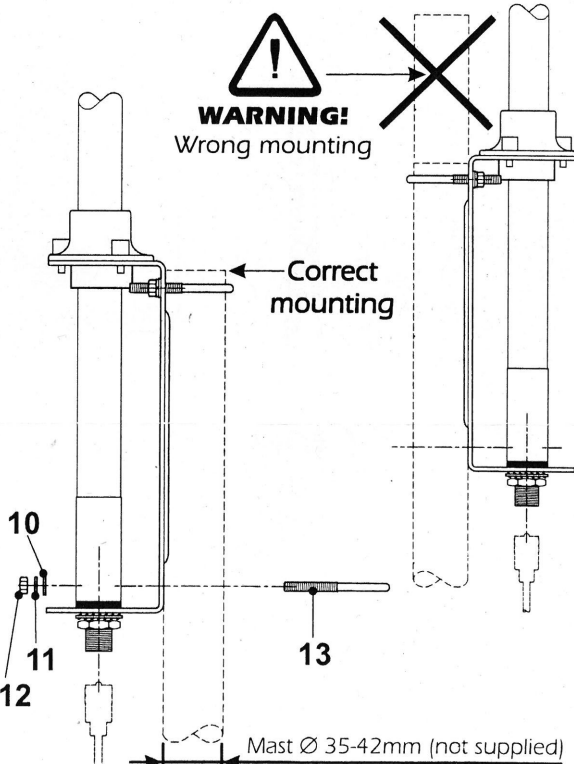
**NOTE:** Use the table just as a guide. For fine-tuning please use an SWR-meter



**3**

Mount the antenna on the mast using parts (10) (11) (12) (13) in according to the picture.

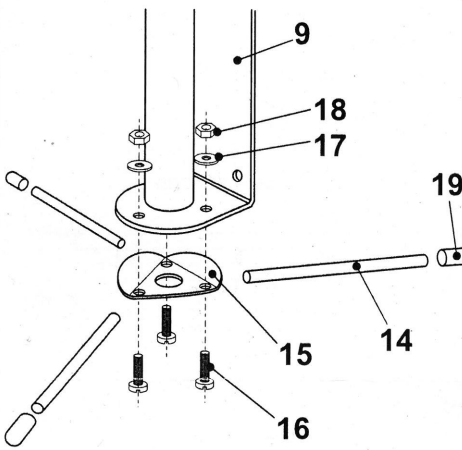
**4**



**WARNING!**  
Wrong mounting

Correct mounting

Mast ∅ 35-42mm (not supplied)



**5**

**Radials mounting  
GPV 5/8 ONLY**

Place the aluminium radials (14) between the steel bracket (9) and the metal plate (15) in according to the picture and lock them by using the supplied screws (16) washer (17) and nut (18). Finally mount the PVC cap (19).