

Data Sheet for Article: DTWH096060

# Network Enclosure Wall S-RACK, W=600 H=512 D=600, 19" 9U

RAL9005 Black, 19"-rails 2x in front and 2x in rear



## SCHRACK-Info

Mainly used in offices and office-like environments, such as flats, single-family homes, etc. Suitable as a central distributor in small to medium-sized network installations, but also for use as a floor distributor (sub-distributor) in the horizontal area of structured cabling. The removable side panels allow convenient access to the installed components, even afterwards. For active cooling of the built-in components, optional DTLT fan units with one or two fans can be mounted in the roof

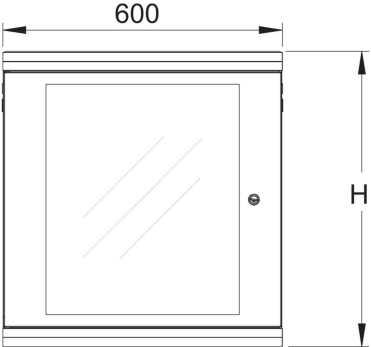
- **Material:** Powder-coated steel sheet housing
- **Material thickness:**
  - Top and bottom chassis: 0.6mm
  - Corner profile: 1.1mm
  - Rails: 1.4mm
  - Front door: 0,6mm
  - Rear panel: 0.5mm
  - Side panel: 0.5mm
- **Colors:**
  - RAL9005 Black
  - Strips: RAL5005 Signal blue
- **Height:** 9U
- **Width:** 600mm
- **Depth:** 600mm

- **Maximum load:** With even distribution: 80kg
- **Degree of protection:** IP20
- **Doors:** Glass door of safety glass 4mm including lock and 2 keys. Door hinged on the right. Conversion to left hinged possible. Opening angle of the door: approx. 230°.
- **Side panels:** Removable and lockable. The side panels are also fitted with a plastic dummy at the locking point of the barrel in the center. Optional accessory kit with 2 cylinders (O-shape/quarter-turn with cam lock) can be installed to provide more security.
- **Rails:** D=600mm have 2x front and 2x rear 19" rails, galvanised, depth-adjustable, U marking present.
- **Cable entry options:** In roof, floor and rear wall.
  - The floor, roof and rear panel are provided with a break-out blank cover.
- **Cooling:**
  - Passive cooling through ventilation slots and heat exchange with the outside area.
  - Active cooling by optional DTLT fans, which are easily and quickly inserted into the roof from the outside. This can also be easily done out afterwards.
- **Earthing:** Earthing set is included
- **Accessories:** Numerous accessories available (shelves, PDUs, cable management, blank panels, fan units, etc.)
- **Delivery:** Enclosure is completely assembled and delivered with assembly material

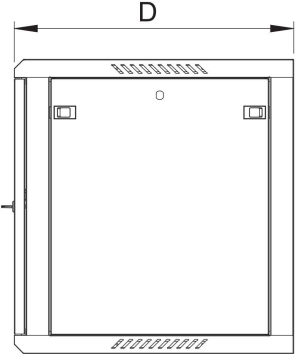
## Technical Data

Net width (mm)	600,00
Net height (mm)	512,00
Netto depth (mm)	600,00
Net weight (kg)	16,50
EAN	9004840990911
Min. ambient temperature (°C)	5
Max. ambient temperature (°C)	40
HU	9
Colour	RAL 9005 (black)
IP Rating	IP20
Max. load (kg)	80
Series	S-RACK

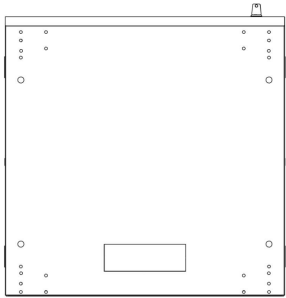
**Dimensioned drawing: Network Enclosure Wall S-RACK, W=600 H=512  
D=600, 19" 9U**



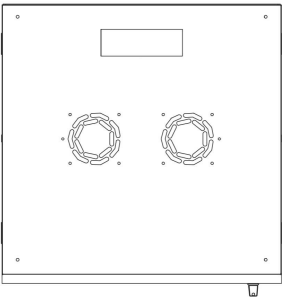
Front view



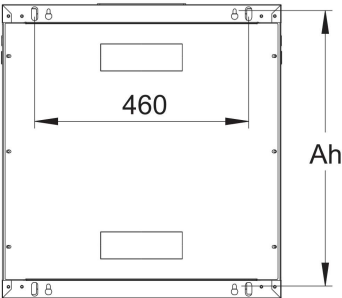
Side view



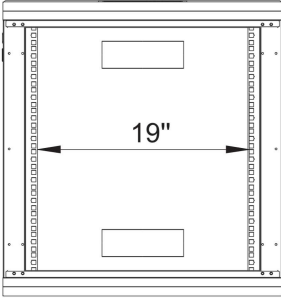
Bottom view



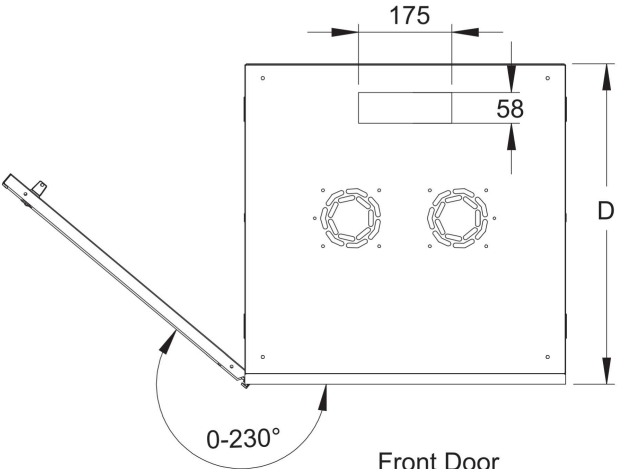
Top view



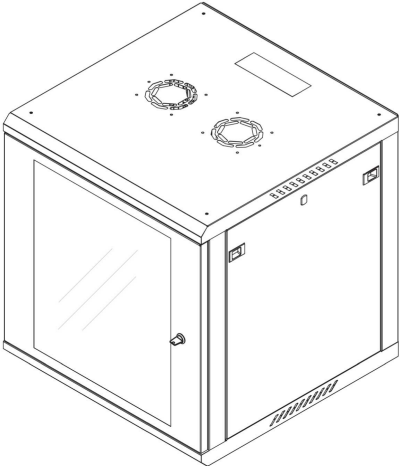
Rear view



Front inside view

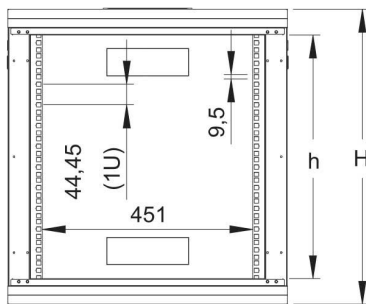
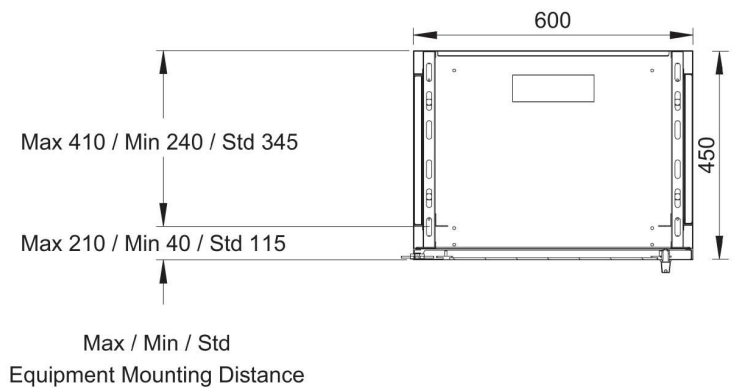
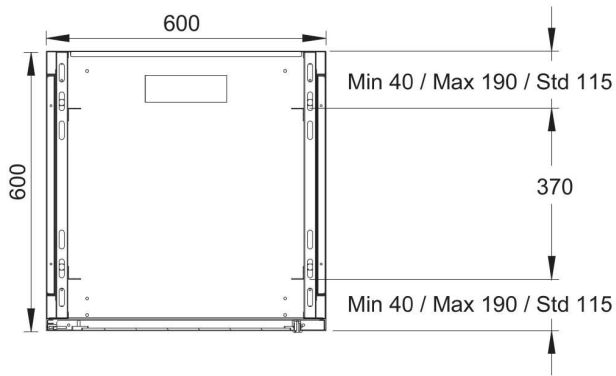


Front Door  
Opening Angle



Isometric view

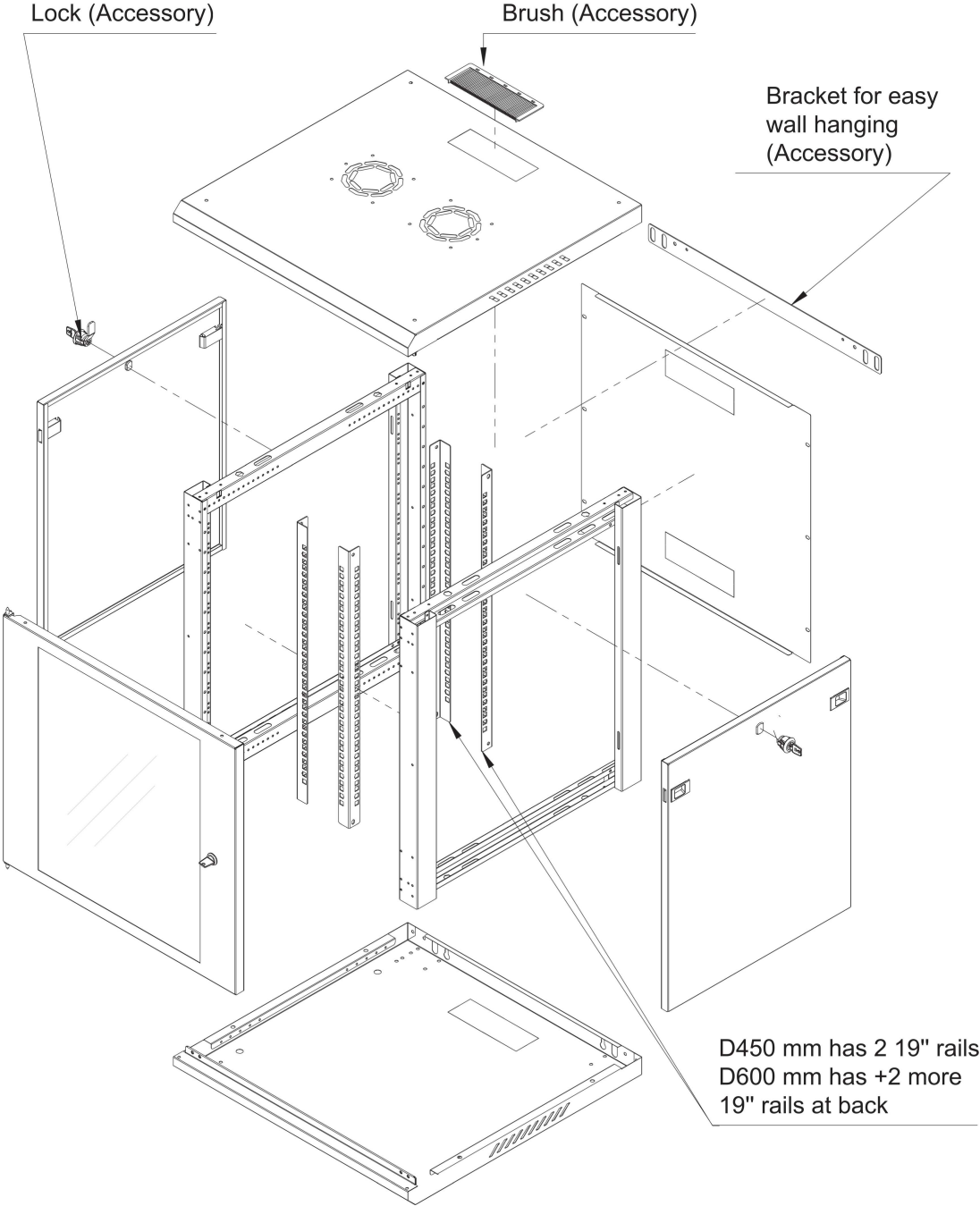
## Dimensioned drawing: Network Enclosure Wall S-RACK, W=600 H=512 D=600, 19" 9U



Dimensions in  
Width and Height

U Height	Size D	h	H	Ah
4U	450/600	178	290	251
6U	450/600	267	379	340
9U	450/600	400	512	473
12U	450/600	533	645	606
15U	450/600	667	779	740
18U	450/600	800	912	873

**Dimensioned drawing: Network Enclosure Wall S-RACK, W=600 H=512  
D=600, 19" 9U**



## Article Table

DESCRIPTION	Order No.
Network Enclosure Wall S-RACK, W=600 H=512 D=600, 19" 9U RAL9005 Black, 19"-rails 2x in front and 2x in rear	DTWH096060
<b>Optional Accessories</b>	
Roof Fan-unit 2 fan for S-RACK, analog thermostat, RAL9005 Installation from outside of enclosure, for freestanding and wallmount enclosures	DTLRO2A-B
Roof Fan-unit 1 fan for S-RACK, analog thermostat, RAL9005 Installation from outside of enclosure, for freestanding and wallmount enclosures	DTLRO1A-B
19" Shelf Fix, 1U, up to 30kg Load, D=400mm, Low Profile 2 Point Fixing, RAL9005	DTFT1400-B
19" Shelf Fix, 1U, up to 50kg Load, D=450mm, Low Profile 4 Point Fixing, RAL9005	DTFL1450-B
Castors set (2 with, 2 without brake) for S-RACK DTWG and DTWH, max. Load = 80kg	DTZR0006
Lock and key for sidepanel S-RACK DTWG an DTWH 1 Set = 2pcs.	DTZLOCK06
Bracket for wall hanging of DTWG and DTWH-wallm. enclosures 2x coated pressed-in nuts, RAL9005 Black	DTZBRACK-B
Brush insert for roof/floor of S-RACK wallmounting enclosure DTWG and DTWH, 60x176mm	DTZBRUSH04
Patchpanel 19" empty for 24 modules (SFA)(SFB), 1U, RAL9005 Black, single-piece design, patchcord lock down	HSER0240SP
19" Cable management panel, 1U, 5 metal rings 63mm, RAL9005	DTBC105R-B
19" Mounting set M6, 20 piece screw, nut, washer	DTSRA020
Switch 24xRJ45 10/100/1000, Silent, w/o fan, internal PSU Metal-Chassis, 19"	QLGSW2457
19" PDU, 9xSchuko, Profile ALU 1U, 2m-cable, RAL7035	IU070114
19" PDU, 7xSchuko with overvoltage protection, PVC, 1.25U 2m-connector cable, RAL7035	IU070113
19" PDU, 9x Schuko, switch, 1U, 2m-cable, Black, ALU ALU Profil	Q7070114-A
19" PDU, 7x Schuko, Switch, Overvoltage protection, 1U 2m-cable, Black, ALU	Q7070113-A