



亨龍工業有限公司

HANLONG INDUSTRIAL CO., LTD

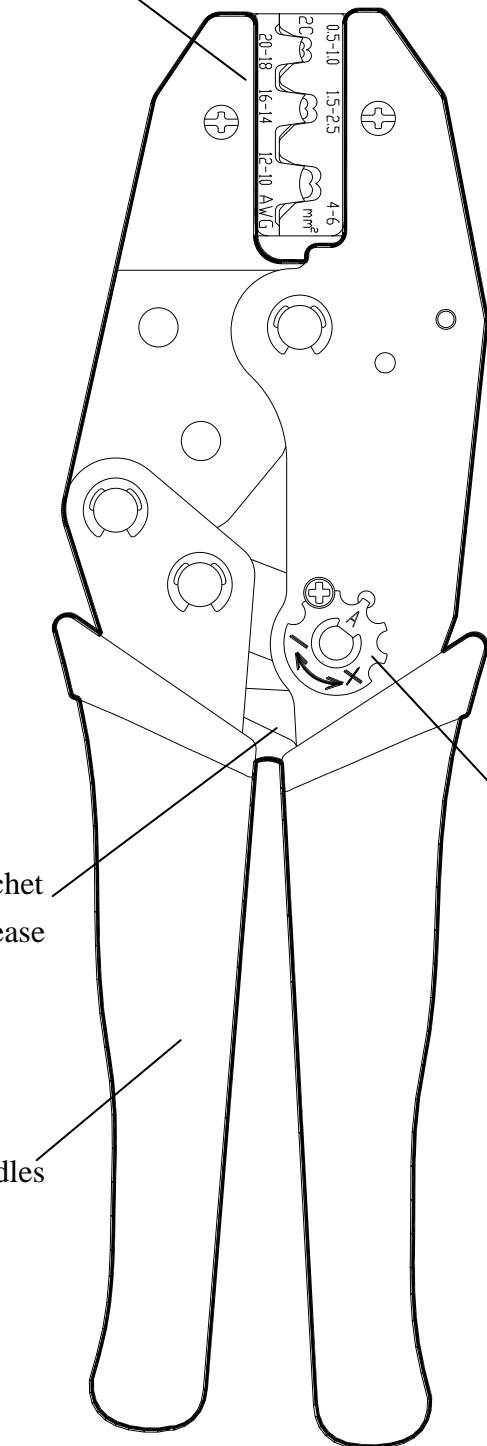
TOOLS

NO.58 CHUNG SHAN RD., TU CHENG DISTRICT,  
NEW TAIPEI CITY 23680, TAIWAN

TEL: 886-2 2267-6700 FAX: 886-2-22676757  
E-mail: hanlong@hanlong.com.tw.

## HT-236C RATCHET CRIMPING TOOL

Crimper



Ratchet  
Release

With  
Adjusting Disc

PP Handles

### SPECIFICATION:

\* **Item No** : HT-236C

\* **Function** :

Crimping For Non-Insulated Terminal.

AWG 20-18/16-14/12-10

DIN 0.5-1 / 1.5-2.5 / 4-6mm<sup>2</sup>

\* **Length** : 8.7"(220mm)

\* **Weight** : 494g (±0.5%)

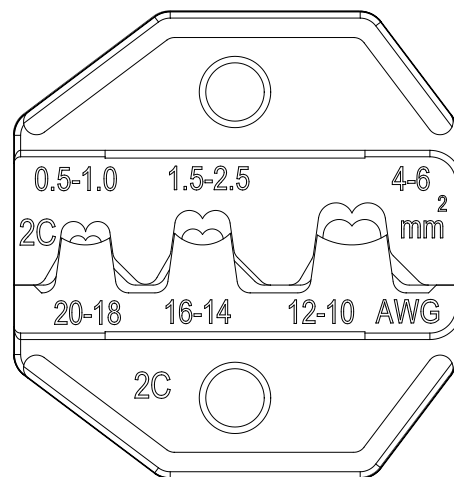
\* **Material** :

Frame – Middle Carbon Steel .

Crimper- Made Of Off Wax.

\* **Finished** :

Black Oxide Finished With Hardened



10/06/08

May