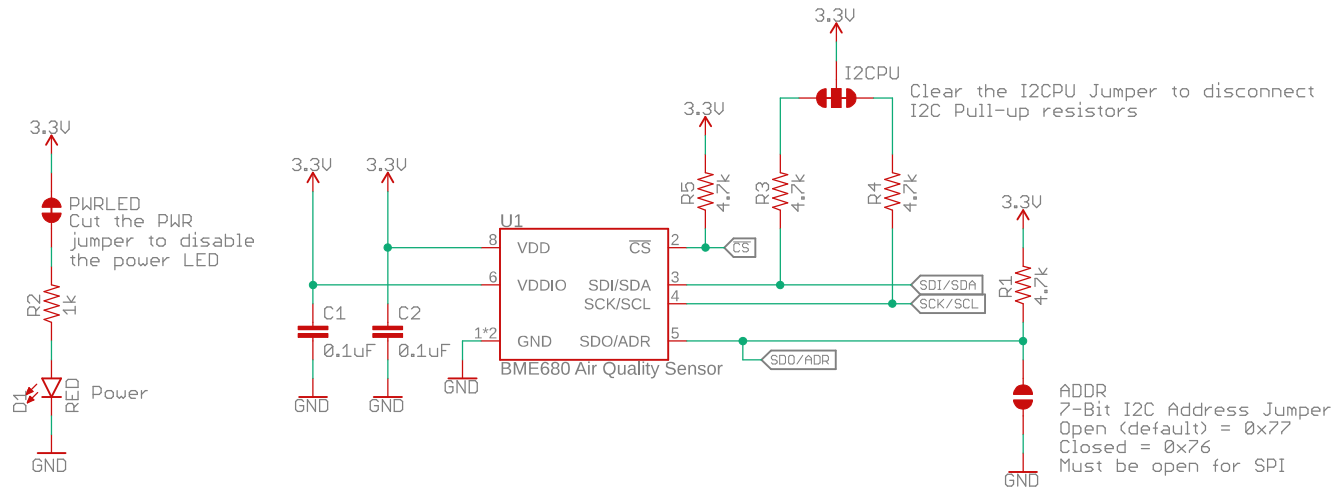
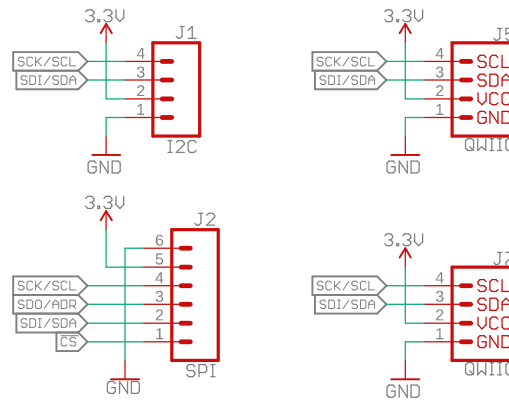


BME680  
 VDD: 1.71-3.6 V  
 VDDIO: 1.2-3.6 V



Connections



Released under the Creative Commons Attribution Share-Alike 4.0 License <a href="https://creativecommons.org/licenses/by-sa/4.0/">https://creativecommons.org/licenses/by-sa/4.0/</a>	
TITLE: Qwiic Environmental BME680	
Design by: N. Seidle Revision By: A. England	REV: v10
Date: 4/28/2020 2:26 PM	Sheet: 1/1