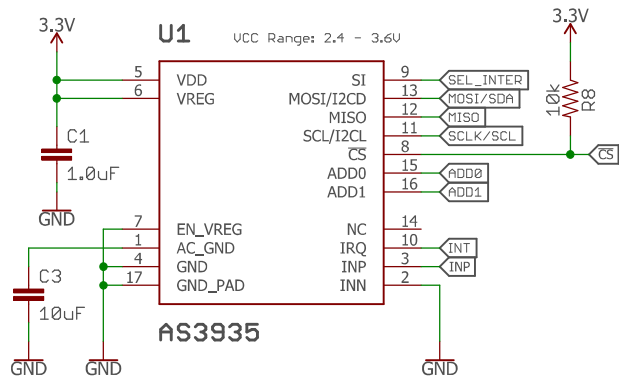
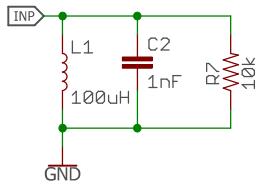


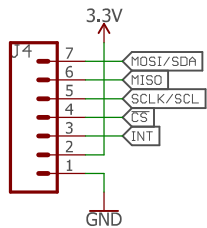
# AS3935 Lightning Detector



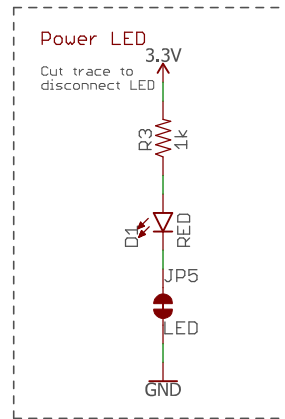
## 500 kHz Resonance Antenna



## Header

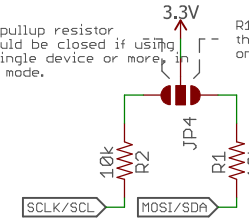


## Jumpers



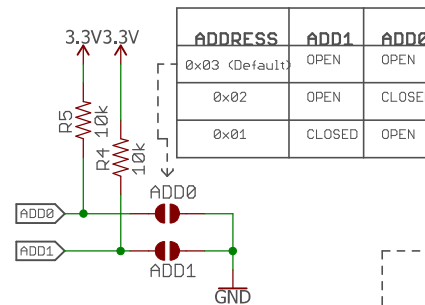
## I2C Pull Up Resistors

R2 pullup resistor should be closed if using a single device or more in I2C mode. R1 should only be closed when there are three or more devices on the I2C bus.



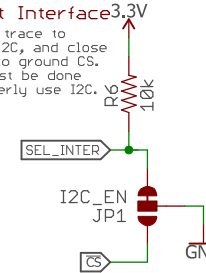
## Address Jumpers

Close jumpers to change I2C Address



## Select Interface 3.3V

Cut top trace to select I2C, and close bottom to ground CS. Both must be done to properly use I2C.



Released under the Creative Commons Attribution Share-Alike 4.0 License  
<https://creativecommons.org/licenses/by-sa/4.0/>

TITLE: SparkFun\_AS3935\_Lightning\_Detector

Design by: Elias Santistevan

REV: v20

Date: 6/20/2019 2:25 PM

Sheet: 1/1